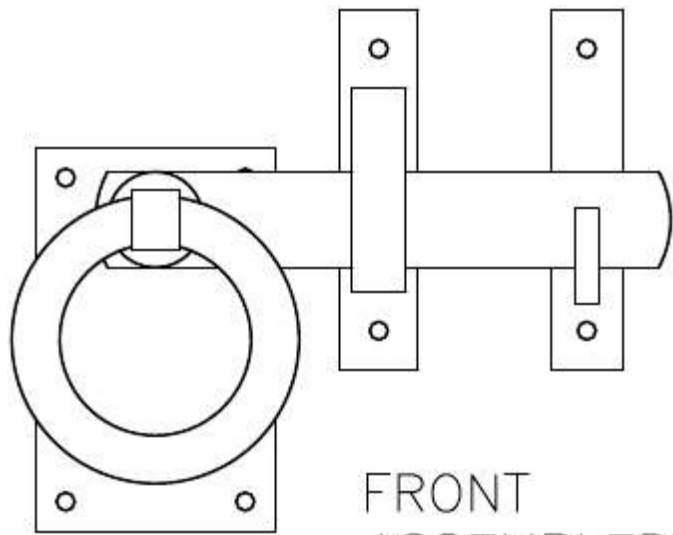
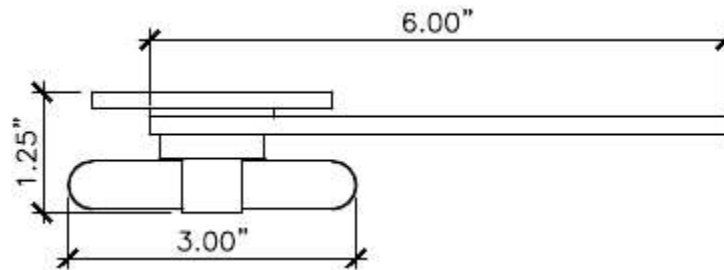
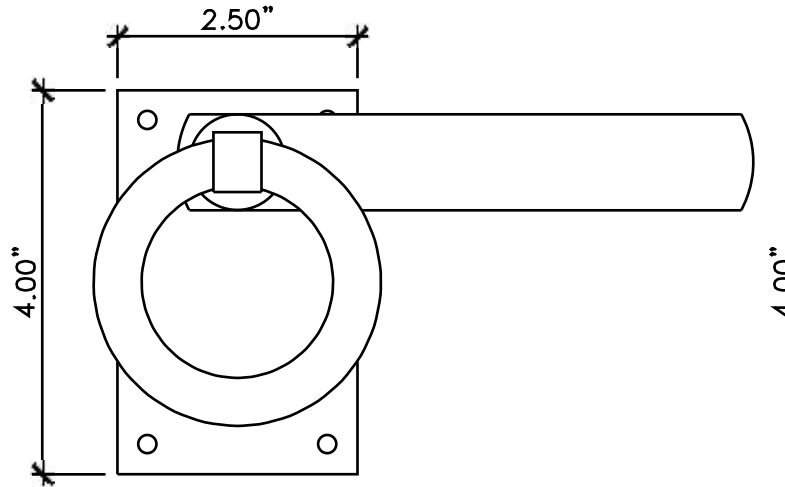


TOP ASSEMBLED



FRONT ASSEMBLED



	<p>PRODUCT DESCRIPTION: RING GATE LATCH FLUSH MOUNTED</p> <p>ALL DIMENSIONS ±0.125</p>	<p>PART NUMBER: 6149- L6SP/LESP</p>
--	--	---