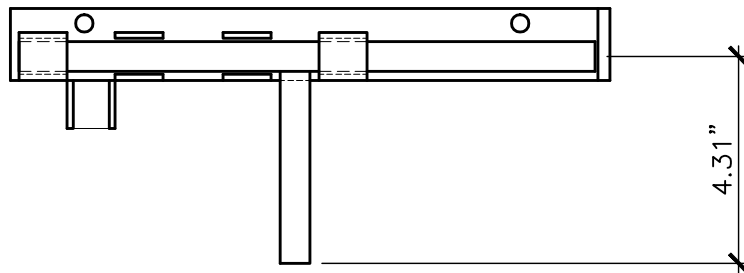
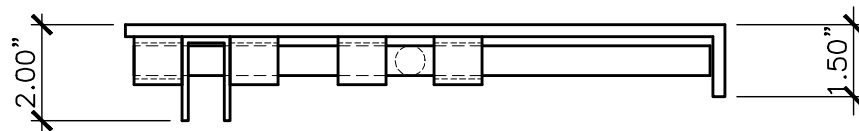


FRONT – SLIDE BOLT EXTENDED



FRONT – SLIDE BOLT PULLED IN

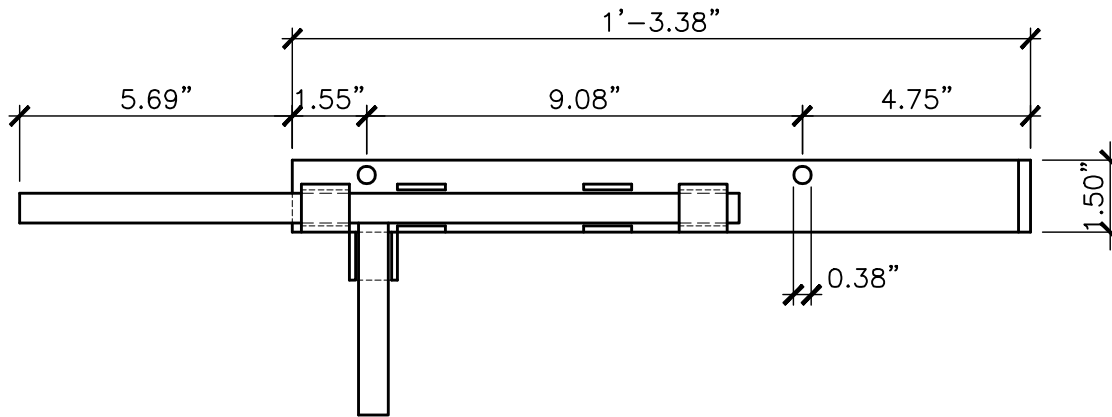


SIDE VIEW – SLIDE BOLT PULLED IN

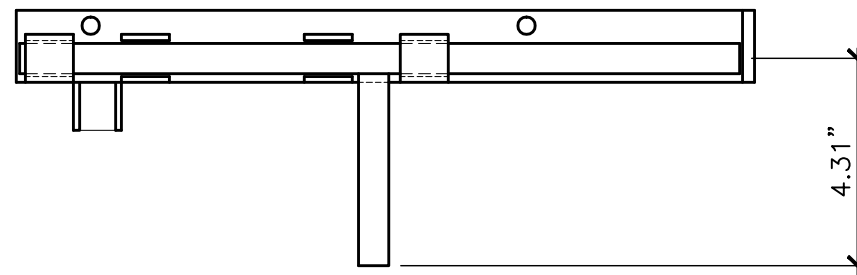
NOTE:

PAIR WITH ITEM #5000-002/00SP
TO USE AS A GATE LATCH

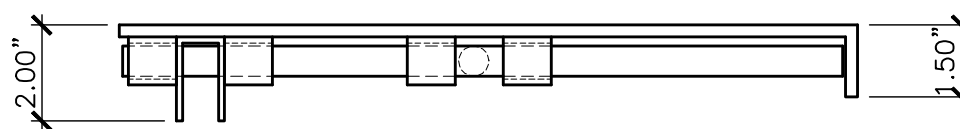
<p>PROPERTY OF: SNUG COTTAGE HARDWARE LLC MARYSVILLE MI. 48040</p>	<p>PRODUCT DESCRIPTION: 12" SLIDE BOLT GATE LATCH / CANE BOLT ALL DIMENSIONS $\pm 0.125"$</p>	<p>PART NUMBER: 5000-122/12SP</p>
--	--	---------------------------------------



FRONT — SLIDE BOLT EXTENDED



FRONT — SLIDE BOLT PULLED IN

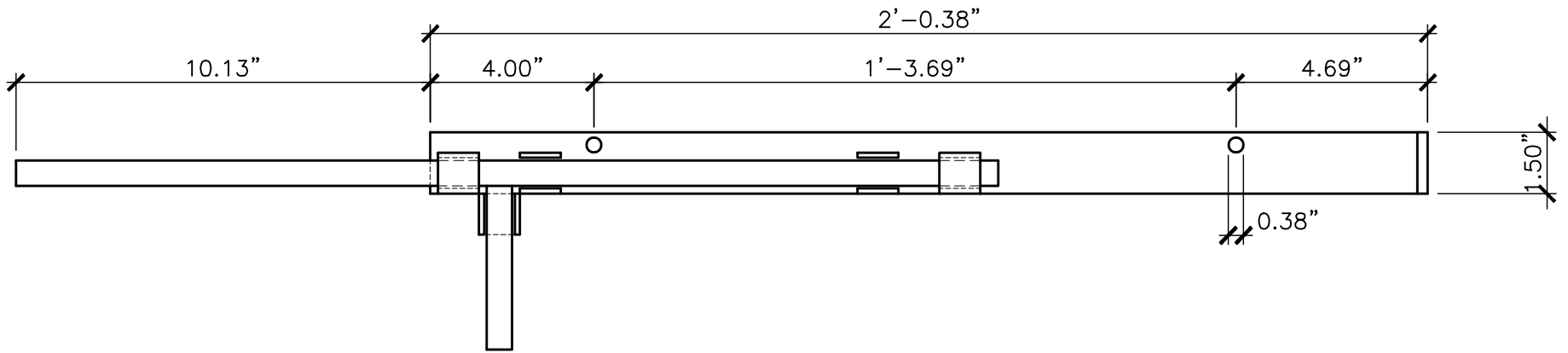


SIDE VIEW — SLIDE BOLT PULLED IN

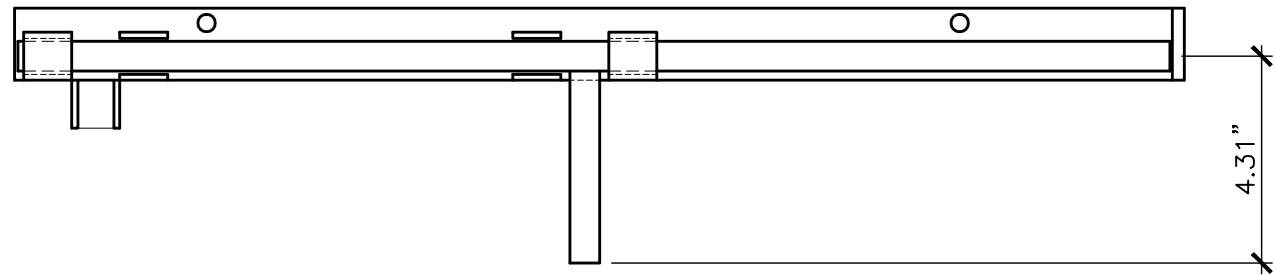
NOTE:

PAIR WITH ITEM #5000-002/00SP
TO USE AS A GATE LATCH

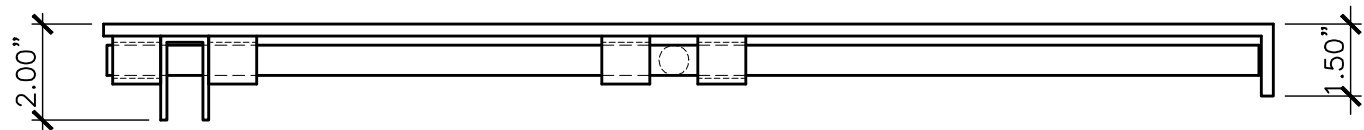
PROPERTY OF: SNUG COTTAGE HARDWARE LLC MARYSVILLE MI. 48040	PRODUCT DESCRIPTION: 15" SLIDE BOLT GATE LATCH / CANE BOLT ALL DIMENSIONS $\pm 0.125"$	PART NUMBER: 5000-152/15SP
---	--	-------------------------------



FRONT — SLIDE BOLT EXTENDED



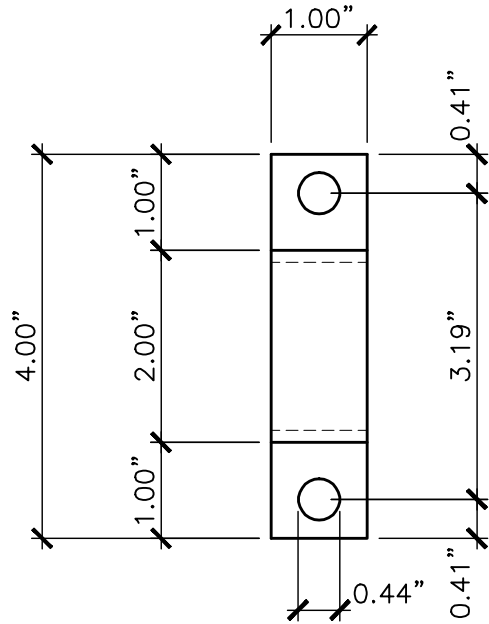
FRONT — SLIDE BOLT PULLED IN



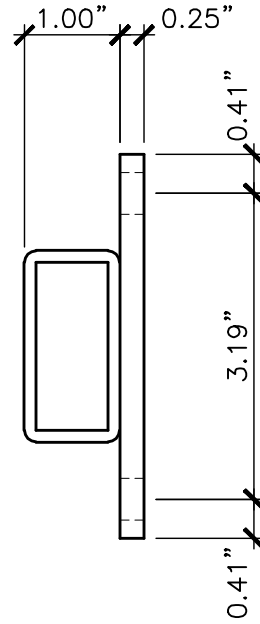
SIDE VIEW — SLIDE BOLT PULLED IN

NOTE:
 PAIR WITH ITEM #5000-002/00SP
 TO USE AS A GATE LATCH

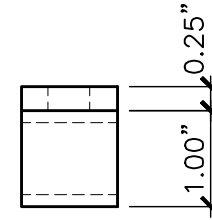
PROPERTY OF: SNUG COTTAGE HARDWARE LLC MARYSVILLE MI. 48040	PRODUCT DESCRIPTION: 24" SLIDE BOLT GATE LATCH / CANE BOLT ALL DIMENSIONS $\pm 0.125"$	PART NUMBER: 5000-242/24SP
---	--	-------------------------------



FRONT



SIDE



TOP

<p>PROPERTY OF: SNUG COTTAGE HARDWARE LLC MARYSVILLE MI. 48040</p>	<p>PRODUCT DESCRIPTION: SLIDE BOLT GATE LATCH KEEP ALL DIMENSIONS $\pm 0.125"$</p>	<p>PART NUMBER: 5000-002/00SP</p>
--	---	--